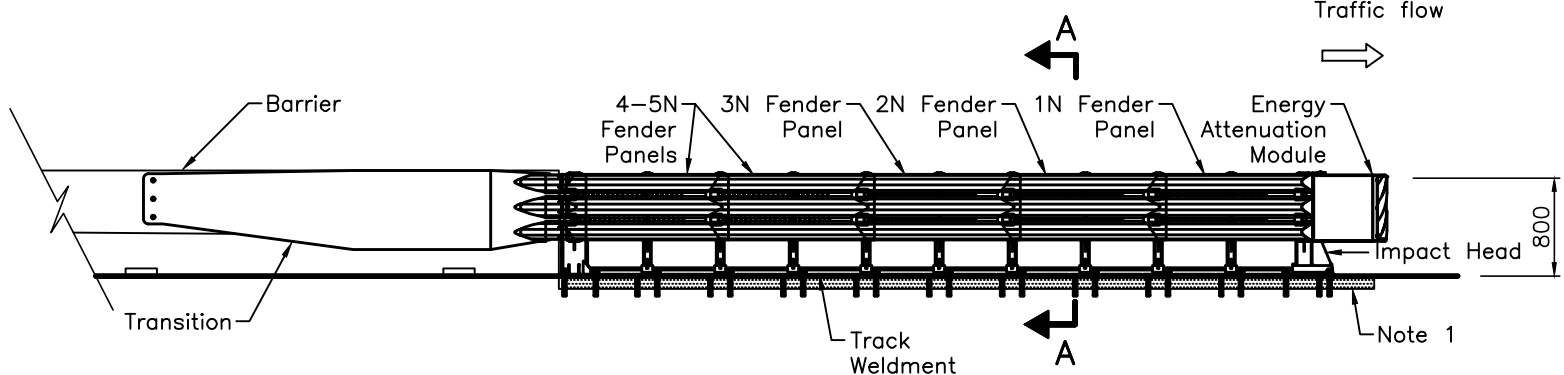
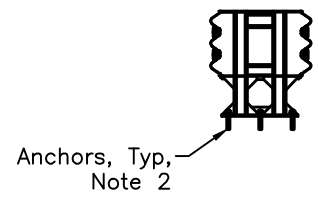


PLAN



ELEVATION



SECTION A-A

NOTES:

- 1 When the system is placed on a concrete pad, the pad shall be according to OPSD 923.001.
- 2 Anchors shall be according to the manufacturer's specifications.
- A Delineation shall be according to OPSD 984.203.
- B The system depicted here is a proprietary product.
- C System configuration meets AASHTO MASH TL-3
- D All dimensions are in millimetres unless otherwise shown.

MINISTRY OF TRANSPORTATION ONTARIO DRAWING		October 2021	Rev	0
ENERGY ATTENUATOR, CRASH CUSHION DELTA CRASH CUSHION INSTALLATION – TEMPORARY BIDIRECTIONAL		-----		
		MTOD – 923.513		