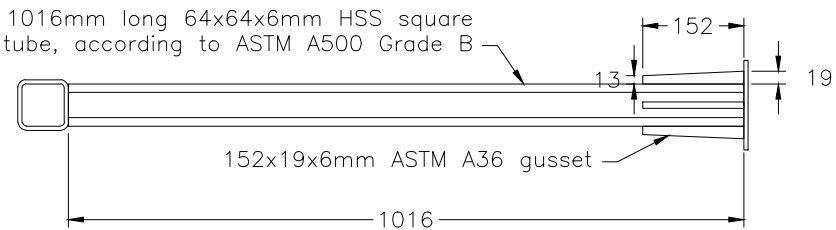
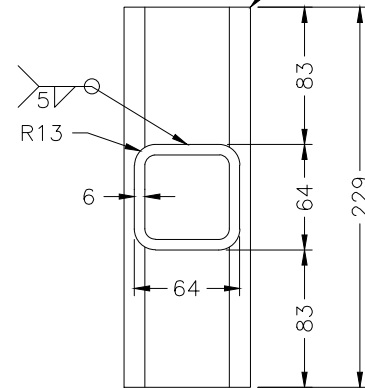
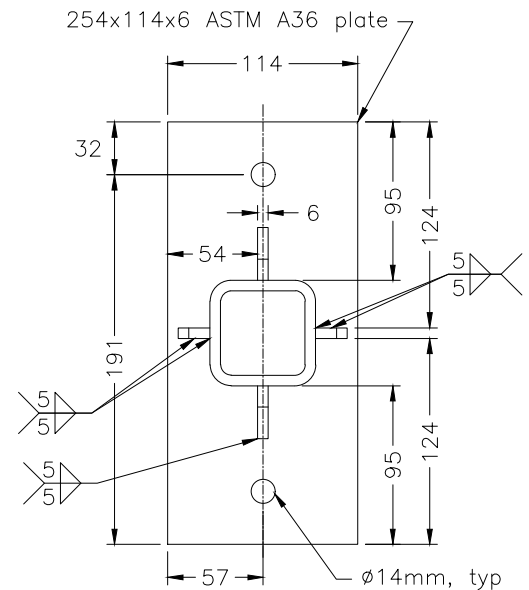


229mm long 76x76x6mm HSS square tube, according to ASTM A500 Grade B



SNOW PLOW MARKER AND POST



ELEVATION

PLAN

GROUND STRUT ASSEMBLY

SECTION A-A

SECTION B-B

NOTES:

- 1 Minimum weight of post shall be 4.46 kg/m.
- 2 Post and mounting hardware shall be hot dip galvanized after fabrication according to ASTM A 123.
- A All dimensions subject to manufacturing tolerances unless otherwise indicated.
- B All dimensions are in millimetres unless otherwise shown.

MINISTRY OF TRANSPORTATION ONTARIO DRAWING

April 2021

Rev 0

GUIDE RAIL SYSTEM, STEEL BEAM
STEEL POST TERMINAL ANCHORAGE
BREAKER BAR COMPONENTS

MTOD 912.265