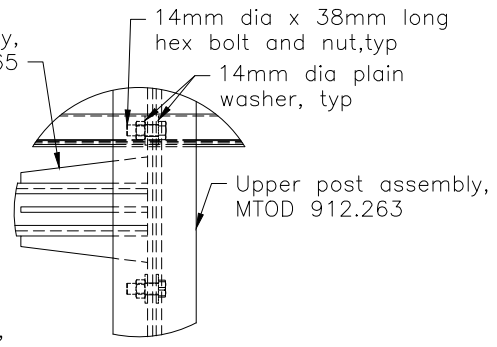
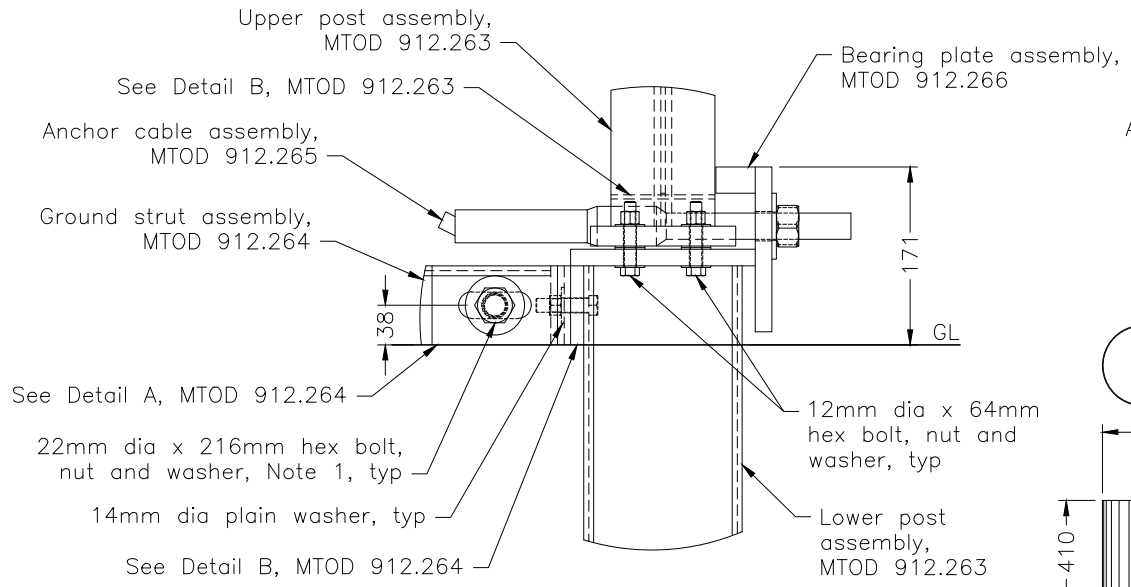
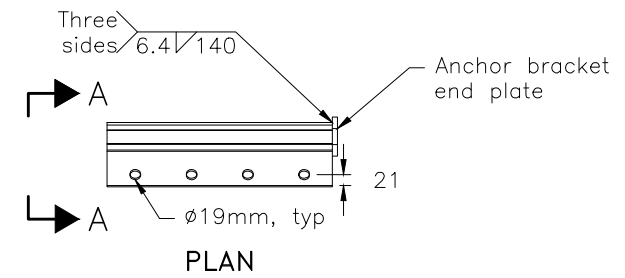


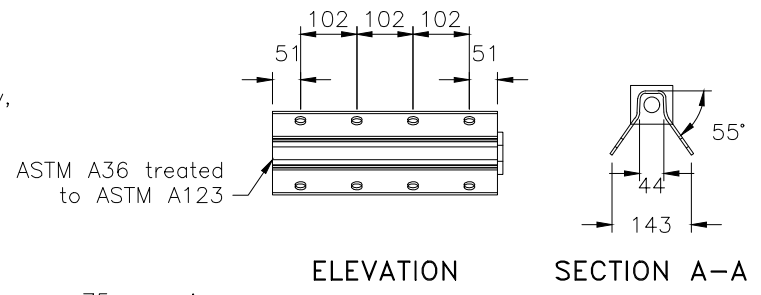
DETAIL A



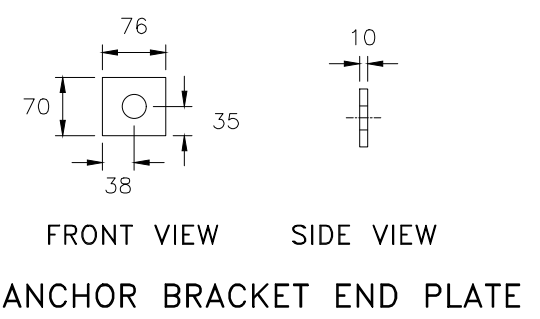
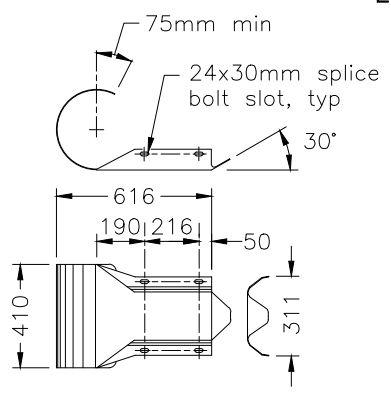
DETAIL B



DETAIL C



ANCHOR BRACKET



NOTES:
 1 Additional washer on the opposite side under head of bolt or nut.
 A All dimensions subject to manufacturing tolerances unless otherwise indicated.
 B All dimensions are in millimetres unless otherwise shown.

| | | | |
|---|------------|-----|---|
| MINISTRY OF TRANSPORTATION ONTARIO DRAWING | April 2021 | Rev | 0 |
| GUIDE RAIL SYSTEM, STEEL BEAM STEEL POST TERMINAL ANCHORAGE INSTALLATION – DETAILS | | | |
| MTOD 912.262 | | | |